



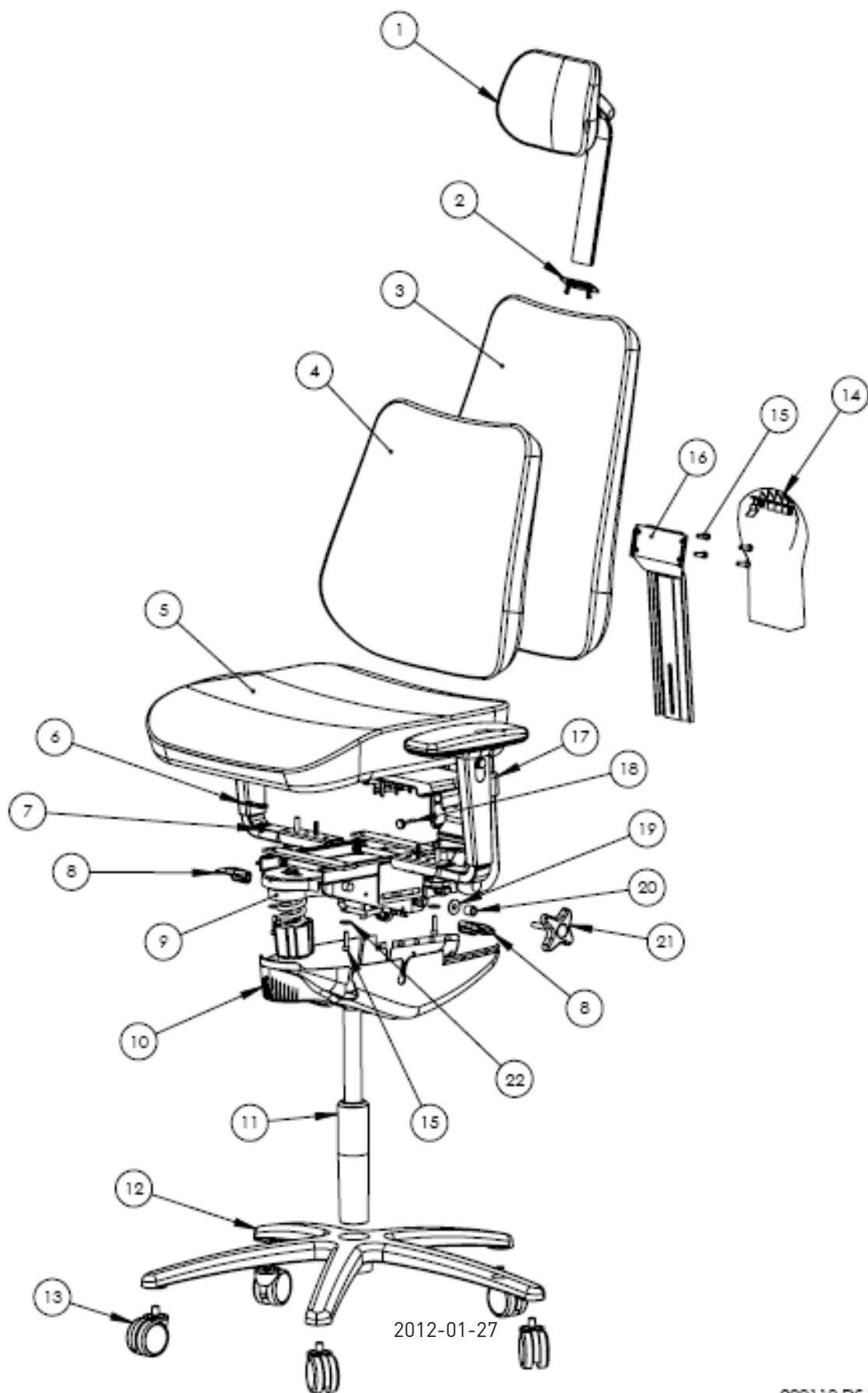
Spare Parts Catalogue

Spare parts for the following model:
RBM 800

Contents



RBM 800 Series	3
Armrest 4650	10



2012-01-27

Reservedelsliste

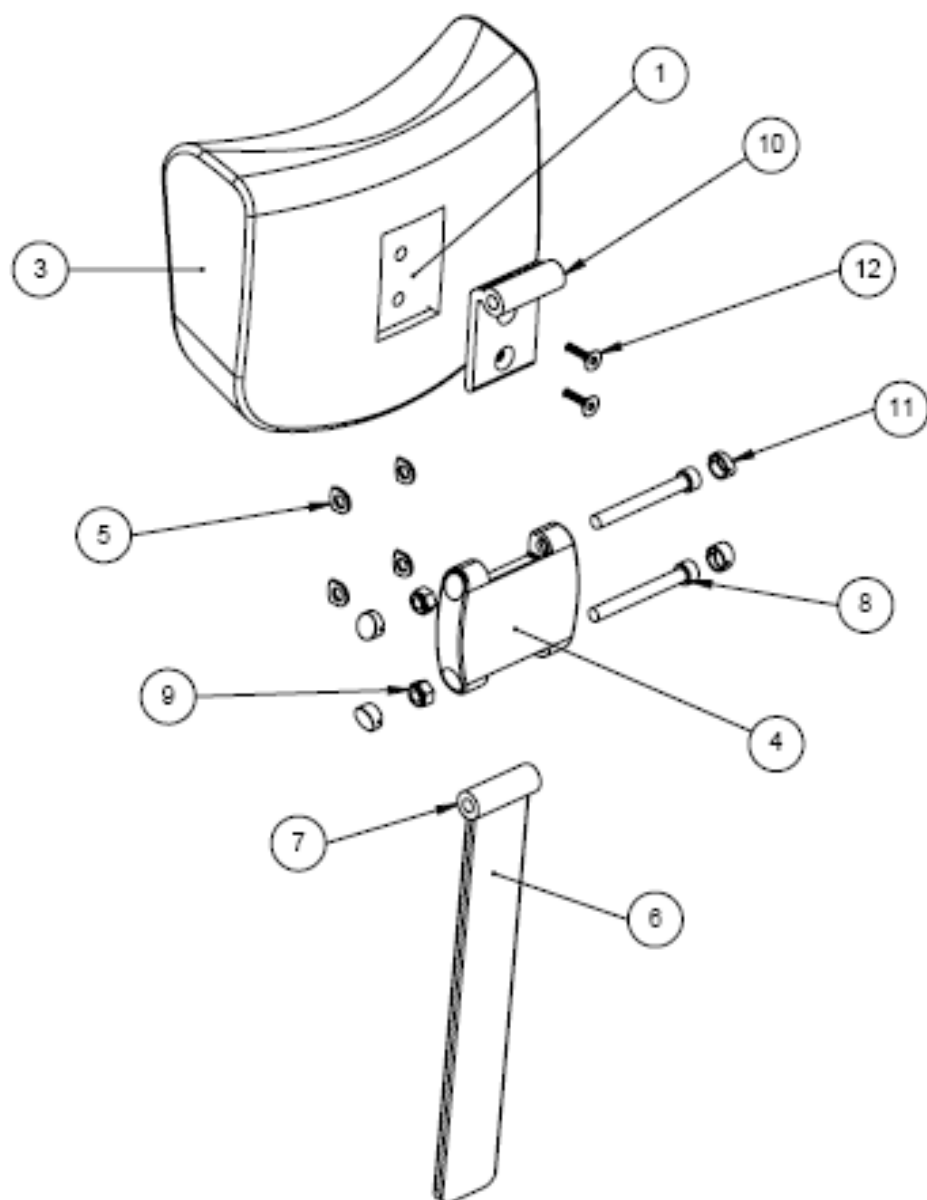
Model 819/829/839 NEXT

Nr.	Beskrivelse	Std/tilvalg	Varenummer
1	KPL. NAKKESTØTTE 839		330 30839
2	HULAFDÆK F/NAKKEST.839		0105000839003
3	POLSTRET RYG 839 (HØJ RYG MED NAKKESTØTTE.) POLSTRET RYG 829 (HØJ RYG)		33010839 33010829
4	POLSTRET RYG 819		33010819
5	POLSTYRET SÆDE 839		31010839
6	PLASTCLIPS F/ VEJLEDNING		0105000000020
7	PLADESKRUE B8X16FZBTX		0103000040101
8	GREB F/UDLÅSERHÅND 819		0105000839004
9	MEKANISME 819		0115370800005
10	MEKANISMEAFDÆKNING BUND		0105000839006
11	6260 Gas		0125050501505
12	ALU UNDERSTEL 615 SORT L22080		0115000024003
13	EMI HJUL 65 MM BLØD TÅRN		0105500615001
14	RYGBØJLE AFDÆKNING 800 PP		0105000100876
15	INDV. 6-KT CH M6X18 SFZ DIN 912		0103010106018
16	INDV. RYGBØJLE 800 SORT FORSTÆRKNING.		0115350800001
17	MEKANISME AFDÆKNING TOP		0105000839005
18	STILLESKRUE 4X30 M/RILLER		0105000070800
19	Skive f/mek FZB ø25/ø8 4x2.0		0103082601080
20	AFSTANDSSTYKKE GLIDESÆDE 839 SORT ø15x15 hul: ø 8,2		0105000839008
21	HÅNDHJUL GLIDESÆDE 839 76X30 M8X40 SORT TPE		0105000839007
22	SKÆRMSKIVER SFZ 18X6,4X1,6		0103082601061

830 version 2007 reservedelsliste

(330208340100201)

Kpl. nakkestøtte 800 justerbar.



ITEM NO.	PART NUMBER	DESCRIPTION	QTY.
1	0111520830001	Polster Erik Nakkestøtte 830	1
3	2500300183203	830 nakkest. opskumning version 2007	1
4	0105000000026	Udv.plastbeslag nakkest. RBM	1
5	0105000000027	Frictionskive nakkest. RBM	4
6	3500250830003	Nakkest. beslag 800 2007 UDG.	1
7	3500250830004	Bøsning f/ nakkest. 800 drejet 2007 UDG.	1
8	0103010208070	INDV. 6-KT CH M8x70 FZB DIN 912, Kval.8.8.	2
9	0103011500800	Møtrik M8 FZB DIN 934-8, Kval. 8.8	2
10	0115000900002	Nakkest.beslag E500 Sort lille 10111	1
11	0105000000028	Afslækningsprop nakkest. RBM	4
12	0103010406020	Indv. 6-KT UH M6x20 SFZ DIN 7991, Kval	2

2012-01-27

The mechanism is made so it can be adjusted for wear in the clutches. The seat tilt and back tilt can be adjusted. The height adjustment handle for the back can also be adjusted. See the instructions below to maintain the mechanism.

Instruction for adjusting releasehandles

For model 566/576,/700 and 800 series

Varebetegnelse:

Udarbejdet af:

ESN





Ansvar:



Dato:

09-05-15

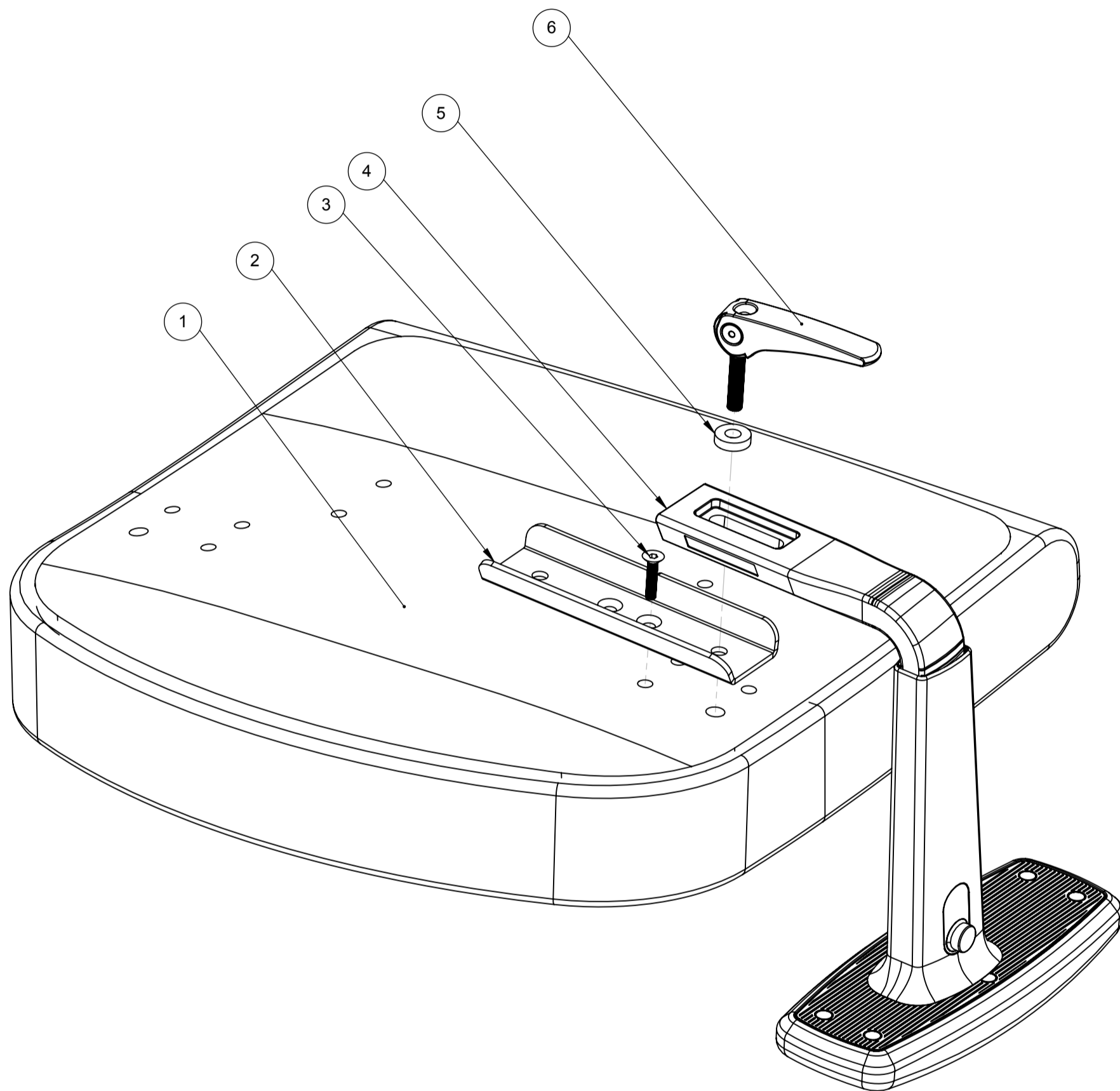
Varenummer:

819-afdæk.afmontvejl

<p>1.</p>	<p>Maintenance of tilt functions.</p> <p>Move sliding seat in forward position and tilt back most backwards to give space.</p>	
<p>2.</p>	<p>Insert screwdriver between top cover and mechanism cover in the back and twist out and up with the screwdriver. It may be necessary to do it at the middle of the top cover too. The cover should open.</p>	
<p>3.</p>	<p>Pull the mechanism cover out and insert key and adjust the screw needed. Only tighten it ¼ round then test the function again. The nut closest to the seat is the seat tilt and the rear nut is the backtilt.</p>	
<p>4.</p>	<p>Place covers in position and press them together.</p>	 <p style="text-align: center;">2012-01-27</p>

5.	<p>The little plastic finger must go under the sliding seat frame otherwise it will block the seat.</p>	
6.	<p>Maintenance of height adjustment.</p> <p>If the back slide down under normal use, flip the handle out, now turn clockwise to tighten the handle. Only tighten ½ round, then test the function again.</p>	

2012-01-27



ITEM NO.	PART NUMBER	DESCRIPTION	QTY.
1	0111036150000	Sædeindlæg til 600 stolen (A0)	1
2	0115454650001	Armlænsbeslag 4650 sort	1
3	0103010406020	INDV.6-KT UH M6 x 20 SFZ DIN 7991, Kval 1.	1
4	0115000011906	ARMLÆN 4660/4661 Venstre Aluminium	1
5	0115454650002	Spændeskive til armlæn 4650 Drejet	1
6	0105004650001	SPÆNDEGREB ARMLÆN 4650 sort	1